



## Technical data sheet TDS0055

### PREMIER HIGH RANGE CARBON DIOXIDE SENSOR, NON-CERTIFIED VERSION TYPE MSH-P-HCO2/NC



Great Britain  
Europe  
France  
Germany  
Italy  
Switzerland  
USA

#### Patent Numbers

GB 2 401 432 & GB 2 403 291  
EP 1544603 & EP 1818667-Pending  
EP [ FR ] 1544603  
EP [ DE ] 1544603  
EP [ I ] 11544603  
EP [ CH ] 1544603  
7, 244, 939

Other World Patents Pending

### FEATURES

- ★ Contains all the necessary optics, electronics and firmware to provide a linearized, temperature-compensated output.
- ★ Choice of output format – direct pellistor replacement, industry standard 0.4 to 2 volts dc or digital.
- ★ Provides the option to convert existing compatible pellistor-based instruments to infrared Carbon Dioxide.
- ★ Sensors can be factory configured to customer specification.
- ★ All sensor types are user configurable using configuration equipment available from Dynamant.
- ★ Fast track route for original equipment manufacturers to introduce the latest infrared technology – without any specialist knowledge.
- ★ Internal Flash memory allowing sensor firmware updates via configuration equipment.

### Dynamant Limited

Hermitage Lane Industrial Estate · Kings Mill Way · Mansfield · Nottinghamshire · NG18 5ER · UK.

Tel: 44 (0)1623 663636 · Fax: 44 (0)1623 421063

email: [sales@dynamant.com](mailto:sales@dynamant.com) · [www.dynamant.com](http://www.dynamant.com)

## DESCRIPTION

Dynamant infrared sensors operate by using the NDIR principle to monitor the presence of target gas. The sensor contains a long life tungsten filament infrared light source, an optical cavity into which gas diffuses, a dual temperature compensated pyroelectric infrared detector, an integral semiconductor temperature sensor and electronics to process the signals from the pyroelectric detector .

Two versions are available:-

### **3 Pin Version - Pellistor Replacement Infrared**

These sensors provide a pellistor style linearized, temperature-compensated output as shown in Graph 1.

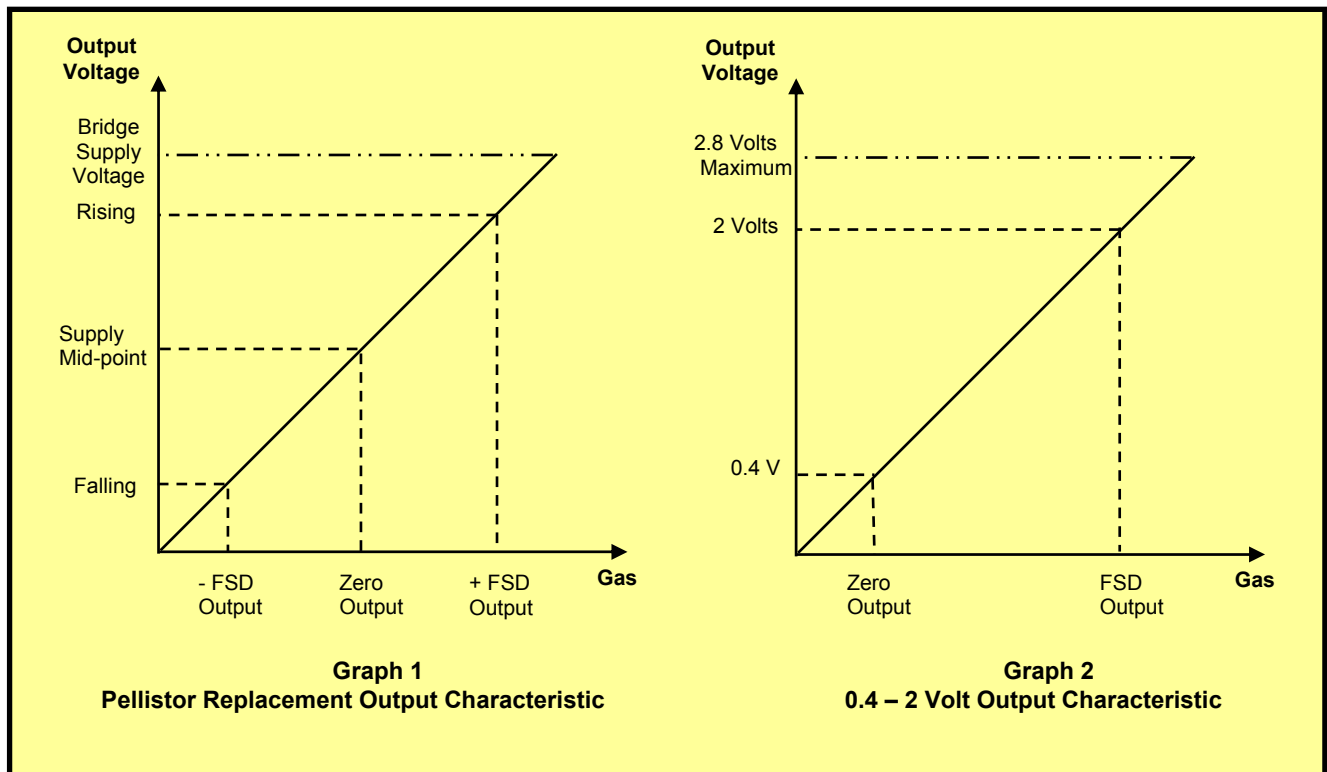
They can either be supplied pre-set to customer specification or may be configured by the user by means of a configuration unit available from Dynamant Ltd. The output signal can be set to rise or fall with increase in the gas level.

### **5 Pin Version - Multi-Purpose Range**

This version of the sensor provides maximum user flexibility by providing the following output options:-

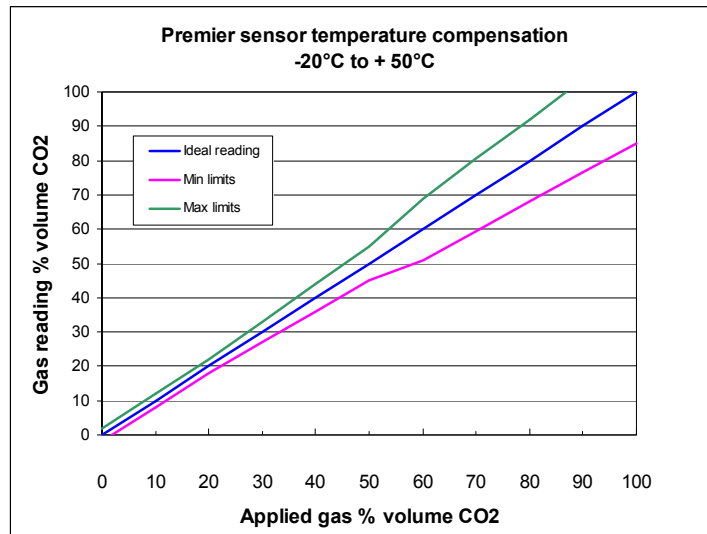
- ★ Industry Standard 0.4 to 2 volt linearized, temperature-compensated output as shown in Graph 2, or alternative voltages for zero and FSD outputs.
- ★ Digital output for direct communications with instrument electronics.
- ★ Rising or falling output with increasing gas level.

The digital output is a UART format comprising 8 data bits, 1 stop bit and no parity. Refer to specification for available baud rates. Contact Dynamant Ltd for protocol details.



## Carbon dioxide Temperature Compensation

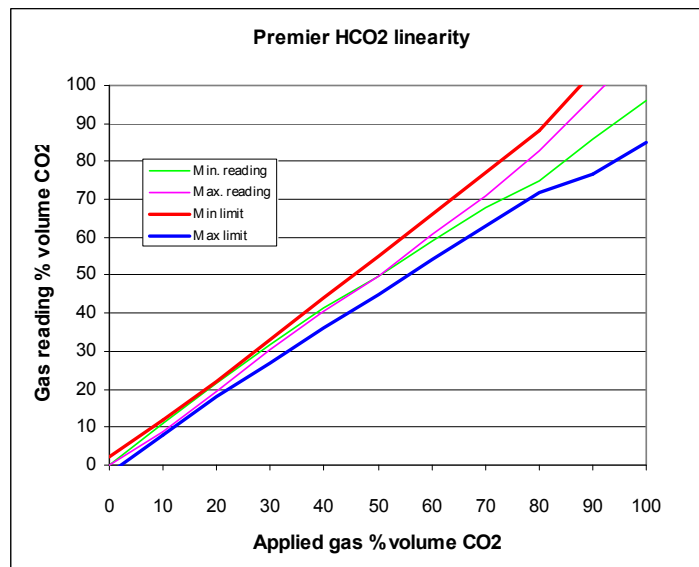
The Premier sensor is temperature compensated over the range of -20°C to +50°C. The output variation is  $\pm 1\%$  v/v or  $\pm 10\%$  of the reading up to 50% FSD and  $\pm 15\%$  of the reading from 50% to 100% FSD, which ever is greater.



## Carbon dioxide Linearity

The Premier sensor linearity at ambient temperature is  $\pm 2\%$  FSD or  $\pm 10\%$  of the reading up to 80% FSD and  $\pm 15\%$  of the reading from 80% to 100% FSD, which ever is greater.

The following graph is based on the 0-100% v/v sensor, data for 24 sensors.



## Calibration options

Dynament recommend a maximum interval of 12 months between calibration checks. A small amount of zero drift can be accommodated by re-zeroing the gas detector against the sensor. The degree of drift that is acceptable should be determined by the user. Note that the subsequent change in gas reading will be greater than the change in zero reading. If the sensor requires either a “Zero” or “Span” adjustment, there are three methods that can be used:

- 1) By using the “Premier Configuration Unit”  
When used in conjunction with dedicated PC software, this device uses the data communication pins on the sensor to provide a means of calibration. Refer to data sheet TDS0043 for additional information.
- 2) By using the data communications pins and software written in accordance with the protocol supplied by Dynament.
- 3) By using the “Manual Calibration” feature available with firmware version 1.5.2R.  
“Zero” and “Span” operations can be performed by momentarily connecting the data communication pins to the negative supply pin. Refer to data sheet TDS0064 for full instructions. The “Manual Calibration” option must be specified when the sensors are ordered.

## Sensor warm-up time

When power is first applied to the sensor, the voltage at the output pin is held at a pre-determined level. The default setting for this start-up value is the “zero gas” value. This condition is maintained for a default “warm-up” time of 15 seconds, after this time the output voltage represents the calculated gas value. Sensors can take up to 1 minute to indicate the correct gas reading.

Note: the sensor can output any reading from -100% FSD to +200% FSD in the first minute. The output value that is read using the communications pins is always held at zero during the “warm-up” time.

Both the voltage at the output pin during the “warm-up” time, and the duration of the “warm-up” time can be pre-programmed to alternative values at the time of ordering sensors.

## Temperature transients and gas flow rates.

The Premier sensor employs a pyroelectric detector, the output from which can be disrupted by sudden changes in temperature. If there is an excessive change in the ambient temperature, gas sample temperature or flow rate, then the output signal will be momentarily frozen. Correct operation is restored when the effects of the transient have settled. Rates of change in the ambient temperature should be restricted to 2°C/minute and gas flow rates kept below 600 cc/minute.

## Power supply considerations

The sensor power supply rise time must be less than 50 mS to ensure correct operation. Operation outside the range of 3 – 5 V dc will result in either fault indication, or the sensor will not function correctly.

## Sensor over-range condition

The sensor will continue to provide an output up to 200% of the full scale value; at this point the reading is clamped, regardless of any further increase in detected gas level. The linearity of the output is only guaranteed up to the full scale for the sensor; the over-range condition should therefore be determined and indicated by the host instrument.

## Sensor fault indication

The sensor constantly performs checks on the internal memory contents, the incoming supply voltage and the analogue signal values. These checks are used to ensure that the sensor is operating within its correct parameters, and that no internal faults have developed.

If a fault condition is detected, the output value is set to -100% FSD. In the case of a sensor with a voltage output that is scaled, 0.4 – 2.4V, for example, the output will be set to 0V under fault conditions

It is not recommended to choose an output voltage of 0V for zero-gas, because the fault condition cannot then be distinguished from the zero-gas condition.

The output value that is read when using the communications pins, instead of the voltage output pin, will be set to -100% FSD under fault conditions.

As mentioned in the “Sensor warm-up time” section above, the voltage at the output pin during the warm-up time can be specified when ordering sensors. It should be noted that if a start-up voltage is chosen that represents the zero-gas condition, then should a fault subsequently develop leaving the sensor unable to drive the output to -100% FSD, this condition cannot be detected by the host instrument.

The start-up voltage that is equivalent to zero-gas was chosen as the default setting because, in a large number of applications, the host instrument would otherwise indicate fault during the warm-up period.

## Digital interface

The digital communication pins “RX” and “TX” operate at a 2.8V logic level. When interfacing to external circuitry that uses a higher voltage level it is necessary to limit the current that can flow. The external voltage level should be 5V maximum and a 3K3 resistor should be used in series with each communication pin.

The Rx and Tx voltage limits are as follows:

RX - VIH: Input ‘High’ minimum voltage -  $0.8 V_{DD} = 2.24V$

RX - VIL: Input ‘Low’ maximum voltage -  $0.2 V_{DD} = 0.56V$

TX - VOH: Output ‘High’ minimum voltage -  $V_{DD} - 0.7 = 2.1$

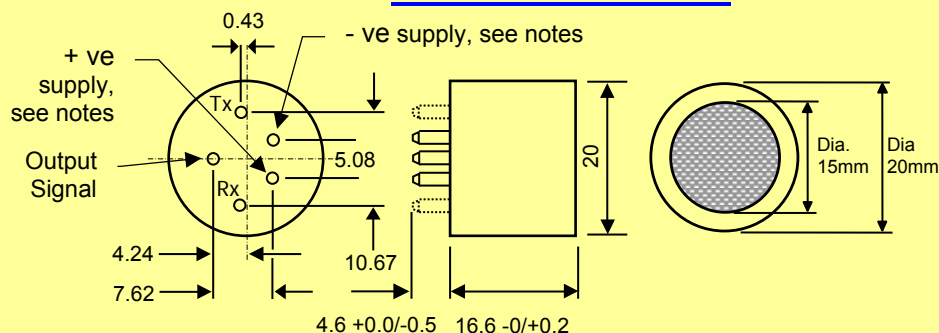
TX - VOL: Output ‘Low’ maximum voltage - 0.6V

Contact Dynamant Ltd for details of the required protocol.

## SPECIFICATION

<b>Operating Voltage Range:</b>	3.0 – 5.0 V d.c.
<b>Operating Current:</b>	Constant current operation, current range 75 – 85mA
<b>Programmable Output Voltage Ranges:</b>	Voltage Output Types – 0v to 2.8 volts d.c. Bridge Output Types – 0v to Bridge Supply Voltage
<b>Measuring ranges:</b>	0 - 10% up to 0 – 100% volume CO <sub>2</sub> in 10% steps
<b>Resolution:</b>	1% of measuring range for readings above 50% of range, 0.5% of measuring range for readings below 50% of range
<b>Warm up time:</b>	To final zero ± 0.2% vol : 1 minute @20°C (68°F) ambient
<b>Response Time T<sub>90</sub>:</b>	<30s @20°C (68°F) ambient
<b>Zero Repeatability:</b>	± 0.2% volume @20°C (68°F) ambient
<b>Span Repeatability:</b>	± 1% volume @20°C (68°F) ambient
<b>Long term zero drift:</b>	± 1% volume / month @20°C (68°F) ambient
<b>Operating temperature range:</b>	-20°C to +50°C (-4°F to 122°F)
<b>Temperature performance:</b>	± 10% of reading up to 50% FSD and ± 15% of reading from 50% to 100% FSD over the range -20°C to +50°C (-4°F to 122°F)
<b>Storage temperature range:</b>	-20°C to +50°C (-4°F to 122°F)
<b>Humidity range:</b>	0 to 95% RH non-condensing.
<b>Digital signal format:</b>	8 data bits, 1 stop bit, no parity, 2.8V logic level
<b>Standard baud rates:</b>	38,400, 19,200, 9600
<b>User configurable parameters:</b>	Zero output voltage FSD output voltage Positive or negative going output Sensor 'zero' function Sensor 'span' function
<b>MTBF:</b>	> 5 years
<b>Weight :</b>	15 grams

## MECHANICAL DETAIL



## NOTES

1. TOLERANCE: +/- 0.15 UNLESS OTHERWISE STATED.
2. RECOMMENDED PCB SOCKET WEARNES CAMBION LTD CODE: 450-3326-01-06-00.
3. **USE ANTI-STATIC PRECAUTIONS WHEN HANDLING**
4. **DO NOT CUT PINS**
5. **DO NOT SOLDER DIRECTLY TO PINS**
6. THE LABELLING ADDS UP TO 0.2 TO THE OUTER DIAMETER, AND UP TO 0.2 TO THE OVERALL HEIGHT

All dimensions are in millimetres. Pins viewed from underside  
 Diameter of pins = 1.5 +/- 0.05  
 Tx & Rx communication connections are available as either pads or pins

**NOTE – The above pin configuration is shown for the POSITIVE version of the sensor. The NEGATIVE version has the +ve and –ve supply pin positions exchanged. See ordering details.**

## Ordering Details

In order to completely specify the type of sensor that is required, the customer needs to provide the following information:-

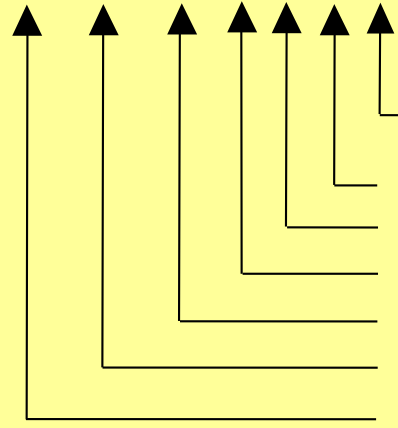
- An Order Code (see below) that specifies the sensors' basic physical and electrical characteristics.
- The sensor configuration requirements.

**Available sensor options:**

**F = Replaceable, self adhesive microporous PTFE filter**

### EXAMPLE OF ORDER CODES

MSH – P / HCO<sub>2</sub> / NC / 3 / B / P / F



Options

PTFE FILTER :  
BLANK = OMITTED, F = FITTED

SUPPLY POLARITY : P = Positive  
N = Negative

OUTPUT TYPE : B = Bridge  
V = Voltage

NUMBER OF PINS : 3 or 5

NON - CERTIFIED

GAS TYPE : CO<sub>2</sub> = Carbon Dioxide

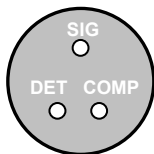
PREMIER SENSOR

### CONFIGURATION OPTIONS

(To be stated on customer order in addition to the Order Code)

1. Output voltage for zero.
2. Output voltage for span.
3. Rising or falling output voltage with increasing gas level.
4. Sensitivity
5. Communication speed – 38,400 baud (default), specify alternative rate if required.

## Pellistor Replacement - Explanation of Positive & Negative Polarity



Typical Pellistor Pinout



**Premier Negative Polarity Option**

Use where the DET pin of the existing pellistor is connected to the Negative of the pellistor bridge supply.



**Premier Positive Polarity Option**

Use where DET pin of the existing pellistor is connected to the Positive of the pellistor bridge supply.

Note – On the 3 pin version of the sensor, the RX and TX connections are pads, not pins.

## Warranty information

All Dynament Premier sensors carry a five year warranty against defects in materials and workmanship. The warranty is invalidated if the sensors are used under conditions other than those specified in this data sheet.

Particular attention should be paid to the following criteria:

- **Observe the correct supply polarity**
- **Do not exceed the maximum rated supply voltage of 5V**
- **Do not solder directly to the sensor pins**
- **Do not expose the sensor to corrosive gases such as hydrogen sulphide**
- **Do not allow condensation to take place within the sensor**

Dynament reserve the right to alter technical specifications, without prior notice, when it is appropriate to implement a technical enhancement that leads to improved performance. Should any changes be required that could affect the customer's use of the product, Dynament will endeavour to contact customers directly to inform them of the changes.